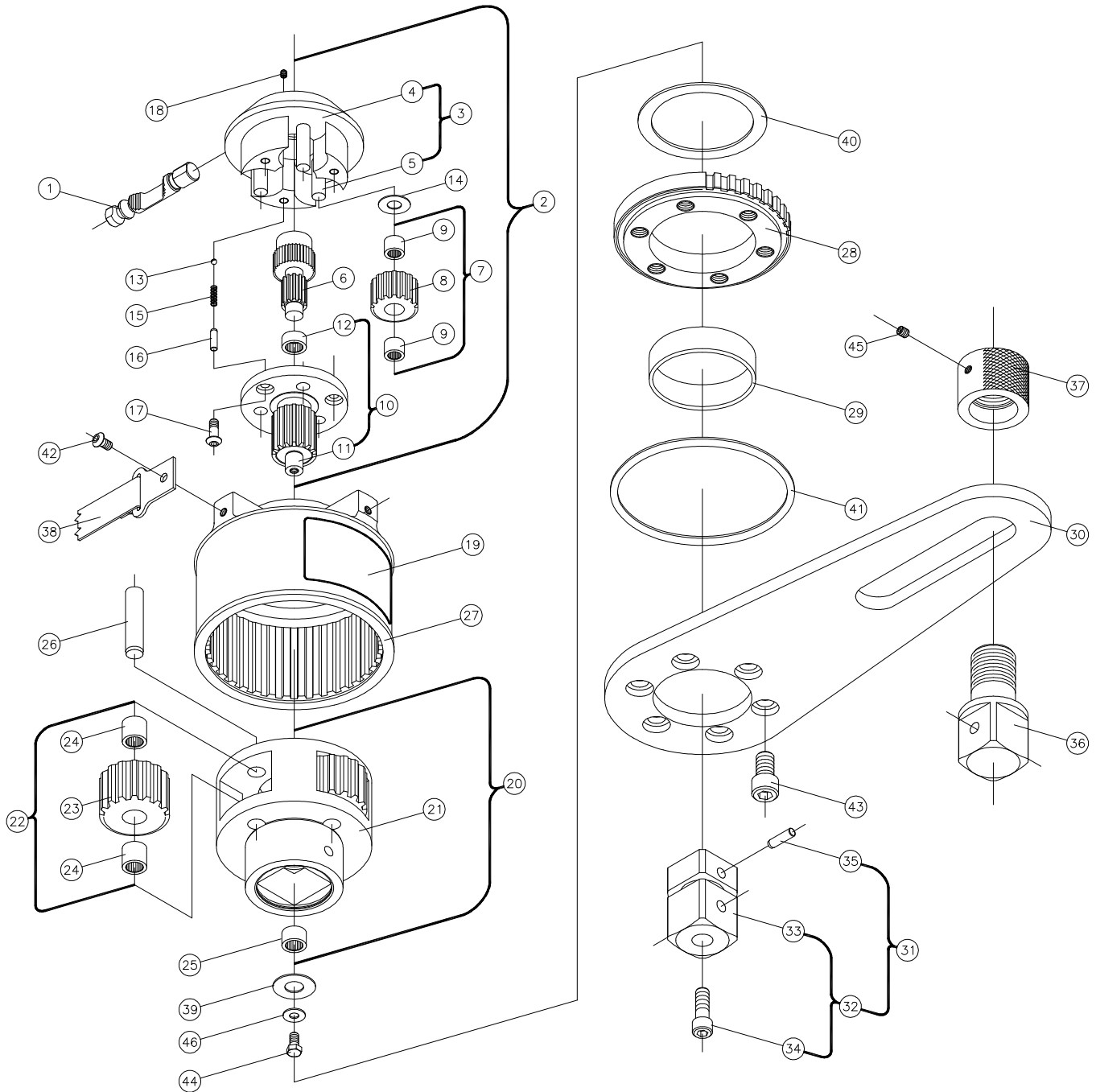


Model 394B Torque Multiplier



Model 394B Torque Multiplier

ITEM NO.	PART NUMBER	DESCRIPTION	QTY
1	392-14	SELECTOR PAWL	1
2	394-110	INPUT GEAR ASSEMBLY	1
3	394-11	INPUT END ASSEMBLY	1
4	394-12	INPUT END	1
5	A000141054001	DOWEL PIN	3
6	394-13	INPUT PINION	1
7	394-140	INPUT PLANET GEAR ASSEMBLY	3
8	394-14	INPUT PLANET GEAR	3
9	904066	BEARING	6
10	394-160	SECONDARY PINION ASSEMBLY	1
11	394-115	SECONDARY PINION	1
12	904084	BEARING	1
13	900001	7/32 DIAMETER BALL	1
14	906027	THRUST RACE	3
15	950019	SPRING	1
16	A000141012001	DOWEL PIN	1
17	A000151461001	B.H. SOCKET HEAD CAP SCREW	3
18	A000155798001	CUP PT. NYLOK SET SCREW	1
19	394-201	NAME/DATA PLATE	1
20	394-210	OUTPUT GEAR ASSEMBLY	1
21	394-211	GEAR CAGE	1
22	394-220	OUTPUT GEAR ASSEMBLY	4
23	394-22	OUTPUT PLANET GEAR	4
24	904013	BEARING	8
25	904070	BEARING	1
26	A000141076001	DOWEL PIN	4
27	394-310	HOUSING	1
28	394-601	REACTION MOUNTING PLATE	1
29	394-602	BUSHING	1
30	394-611	REACTION ANCHOR	1
31	394-7000	KIT, SQUARE DRIVE	1
32	394-71	SQUARE DRIVE SUB-ASSEMBLY	1
33	394-72	SQUARE DRIVE	1
34	A000152972001	LOW HEAD SOCKET CAP SCREW	1
35	A000141016001	DOWEL PIN	1
36	394-710	SLAVE DRIVE	1
37	394-711	SLAVE DRIVE RETAINER	1
38	394-80	CARRYING STRAP	1
39	9060019	THRUST RACE	1
40	906100	THRUST RACE	1
41	A000070027108	RETAINING RING	1
42	A000151453001	B.H.SOCKET CAP SCREW	2
43	A000151900001	SOCKET HEAD CAP SCREW	6
44	A000153001003	HEX HEAD CAP SCREW	1
45	A000155124001	CUP POINT SET SCREW	1
46	A000261026001	FLAT WASHER	1
47	913001	HEX KEY (NOT SHOWN)	1

NOTE: Indentation indicates component(s) of the previous lesser-indented assembly.