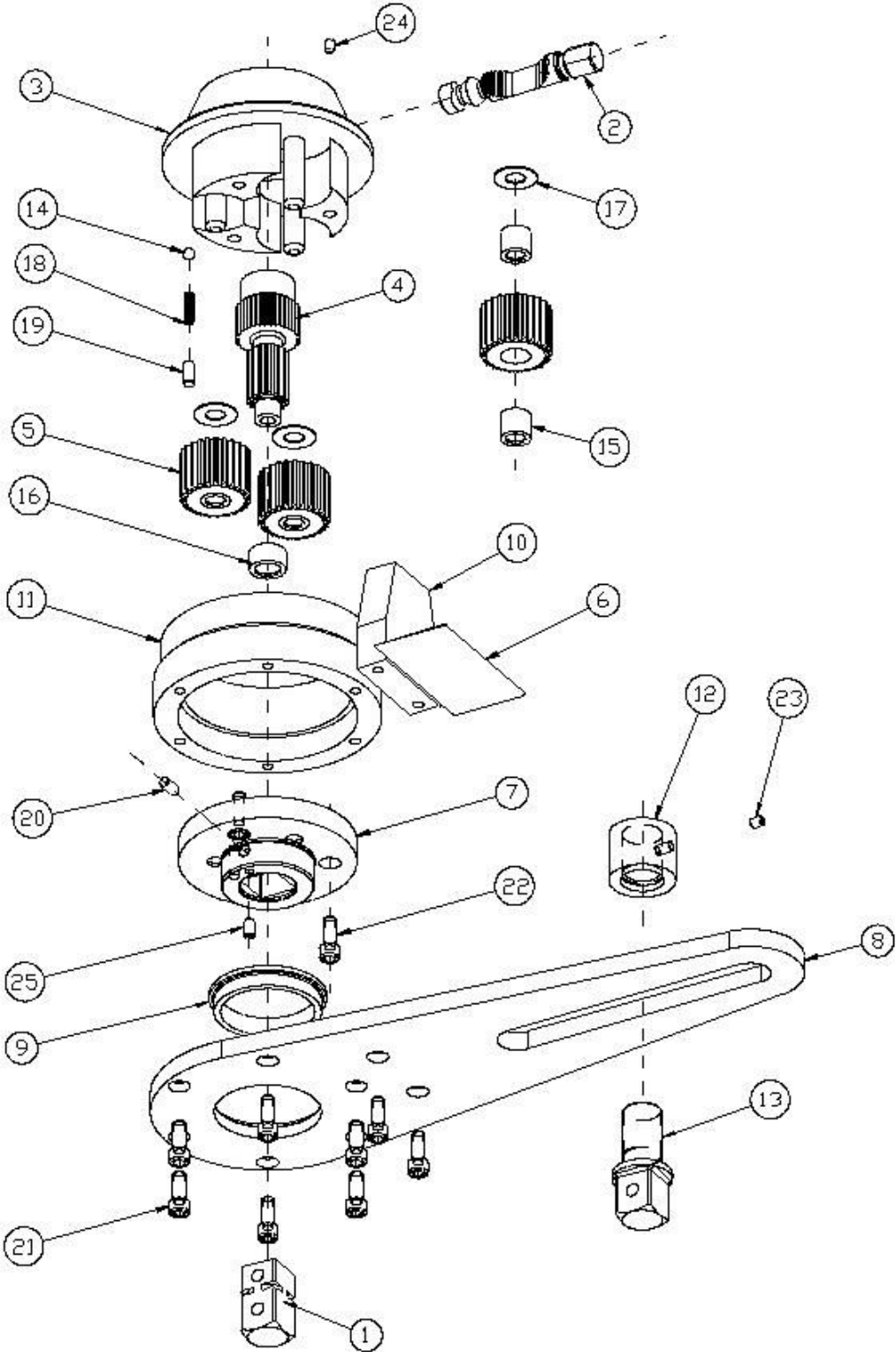


## Model 491 Torque Multiplier



QTY	ITEM	PART NUMBER	DESCRIPTION
1	1	391-720	SUB-ASSEMBLY, SQUARE DRIVE
1	2	392-14	PAWL, SELECTOR
1	3	394-11	ASSEMBLY, INPUT END
1	4	394-13	PINION, INPUT
3	5	394-140	ASSEMBLY, INPUT PLANET GEAR
1	6	491-200	PLATE, NAME/DATA
1	7	491-31	CARRIER, SQUARE DRIVE
1	8	491-61	REACTION, ANCHOR
1	9	491-62	BUSHING
1	10	491-63	ANCHOR
1	11	491-65	GEAR, RING
1	12	491-710	RETAINER, SLAVE DRIVE
1	13	491-711	DRIVE, SLAVE
1	14	900001	BALL 7/32 DIA
2	15	904066	BEARING, ROLLER
1	16	904084	BEARING, ROLLER
3	17	906027	WASHER, THRUST
1	18	950019	SPRING, COMPRESSION
1	19	A000141012001	PIN, DOWEL
1	20	A000141840001	PIN, DOWEL
8	21	A000151786001	SCREW, SOC. HEAD CAP
3	22	A000151801001	SCREW, SOC. HEAD CAP
1	23	A000155099001	SCREW SET SOC HEX CUP PT
1	24	A000155789001	SCREW SET SOC HEX CUP PT W/ NYLOK
1	25	A000155800001	SCREW SET SOC HEX CUP PT W/ NYLOK
1	26	491-75	KIT, SQ. DR. REPLACEMENT (NOT SHOWN)