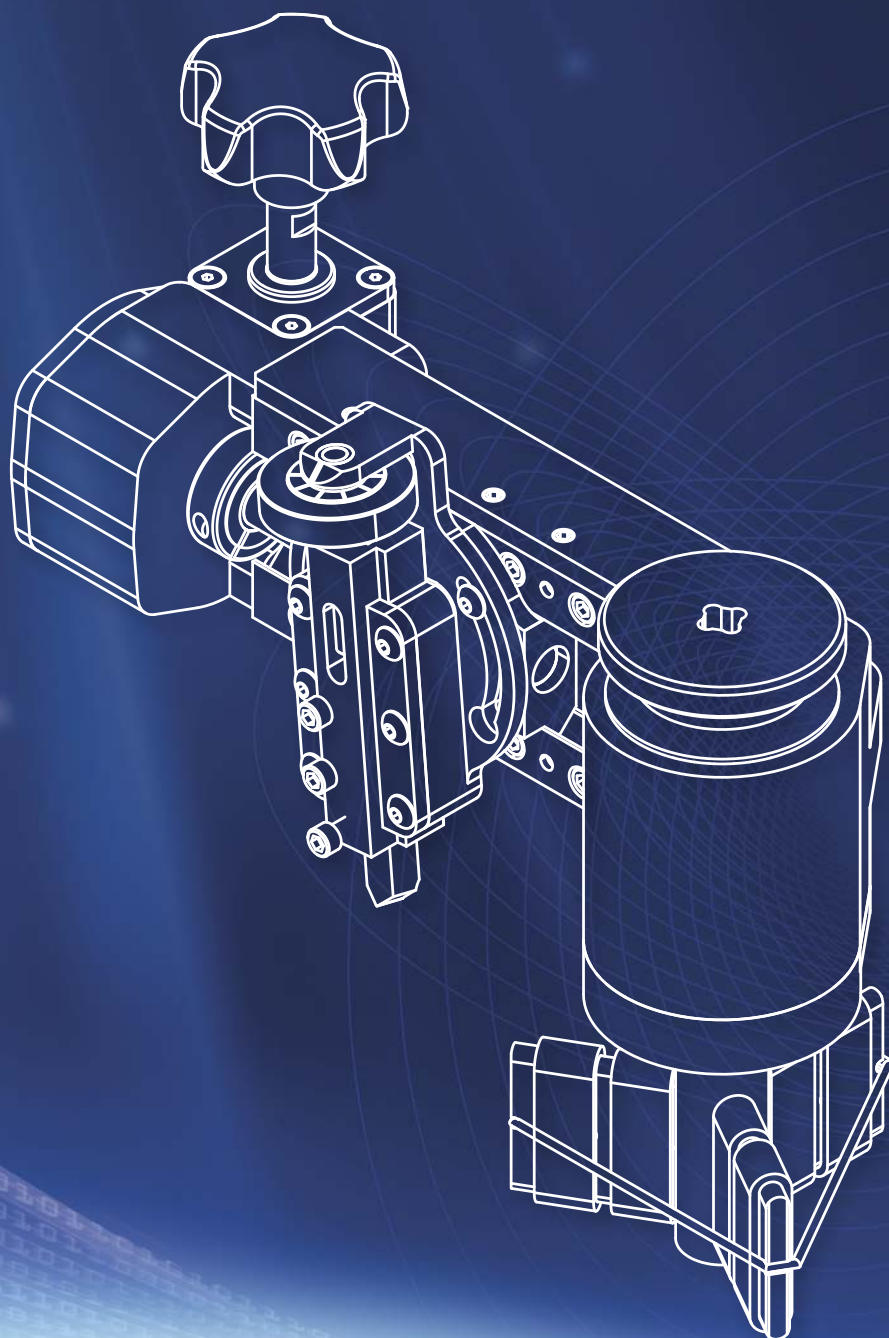


# QuickFace

*PORTABLE HAND POWERED FLANGE FACING TOOL*



**hydratight®**

## Hi-Tech Design, Cost Effective Solution

No power supply? No room for a compressor? No problem. Hydratight's new ultra-portable, hand powered tool QuickFace makes even the hardest to reach pipe flanges accessible in a safe and convenient way.

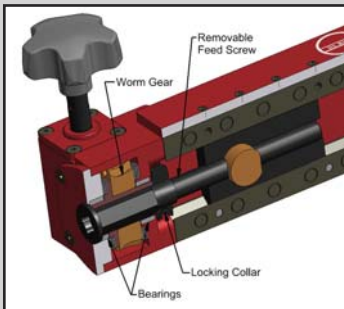
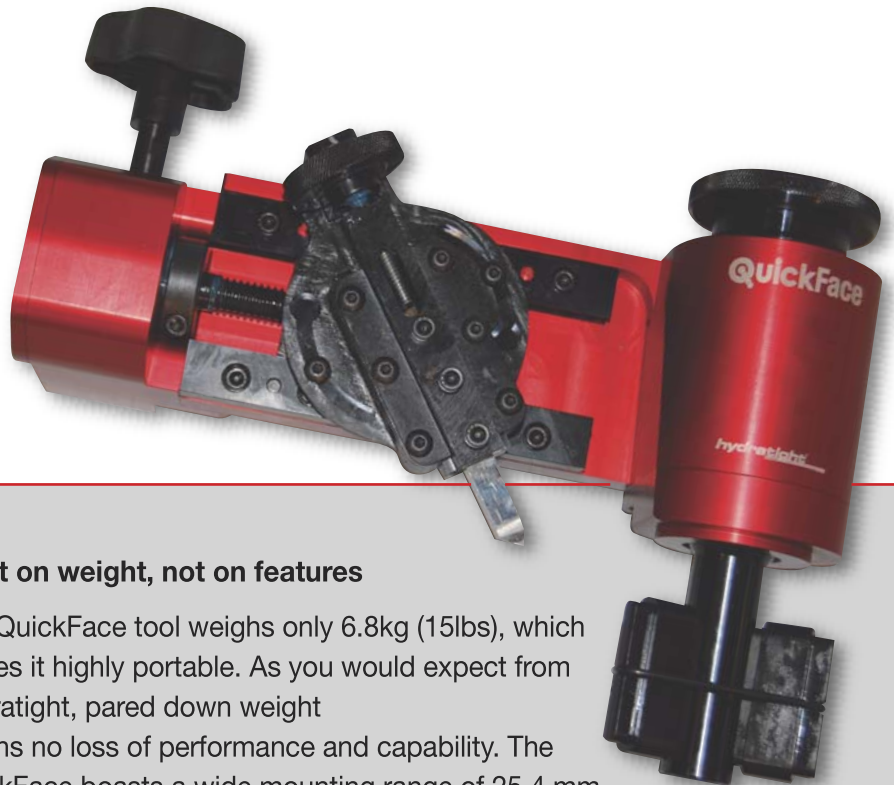
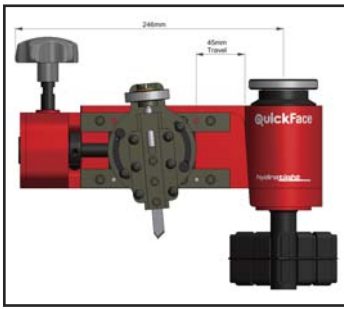


### QuickFace makes refacing easy

Every day we're presented with hundreds of situations where flanges that need to be refaced are in awkward or even dangerous locations. Pipes can be situated at the top of a refinery installation or miles away from the nearest power line, without room to move.

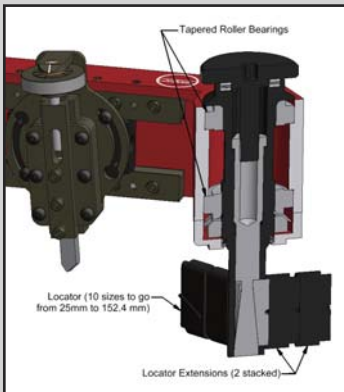
Now for the first time ever, engineers can rely on all the accuracy and performance of Hydratight's bigger air and electric powered tools in a lightweight and extremely portable format. A simple and cost effective solution with hi-tech design, QuickFace turns a two man operation with heavy equipment, compressors and portable generators into a one man job.



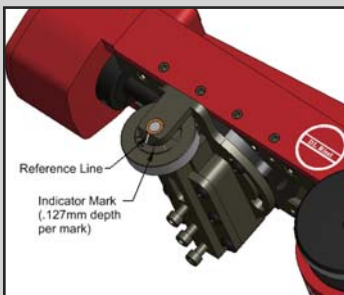


### Light on weight, not on features

The QuickFace tool weighs only 6.8kg (15lbs), which makes it highly portable. As you would expect from Hydratight, pared down weight means no loss of performance and capability. The QuickFace boasts a wide mounting range of 25.4 mm (1") – 157.5mm (6") ID and is capable of facing 25.4mm (1") – 304.8mm (12") OD flanges using standard half-inch cutting tools. In addition the tool can be greatly reduced with different lead screws making it suitable for resurfacing damaged raised-face or lens-ring joint flanges to the highest safety standards required.

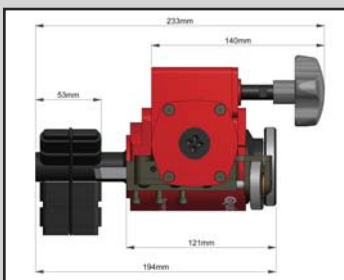


Plus QuickFace operation couldn't be simpler; after selecting the correct lead screw for the operation, the tool body is inserted in the pipe end and centers itself with adjustable locators to provide truly concentric operation.



The tool arm is then rotated by hand using a worm-gear mechanism to provide a perfect spiral "gramophone" finish. The tool can be adjusted with a calibrated slide to define cut depth and the correct finish.

Small and portable enough to be a permanent addition to your equipment range, QuickFace is the perfect solution to all of your small diameter facing problems.



Hydratight also manufactures a wide range of flange facing and portable machining tools. For more information on these and the new QuickFace tool please visit [www.hydratight.com/facing](http://www.hydratight.com/facing) or email [quickface@hydratight.com](mailto:quickface@hydratight.com).

**Note:**

ID mounting range = 25.4 - 152.4mm (1 - 6in.)  
 Flange OD facing range = 25.4 - 304.8mm (1 - 12in.)

# hydratight®

*Global Standards Local Delivery*

Our global network means you can rely on the right people, products and services wherever you are in the world.

Email us at: [solutions@hydratight.com](mailto:solutions@hydratight.com)

Or find your local representative at:

[hydratight.com/contact](http://hydratight.com/contact)

