

Hot Tapping Services



Hydratight's highly specialized hot tap service permits new branch connections to be made into a pipe or pressure vessel without the need for production downtime or interruption to service while the system is still under pressure.

As a global leader in Hot and Cold Tapping, we have the ability to tie into your system in many ways including straight, lateral and valveless connections. Our range of innovative, purpose designed equipment has enabled Hydratight to safely and efficiently carry out numerous live interventions into a wide variety of line mediums, including hydrocarbons, natural gas, aviation fuel, water, steam and heavy oil.

Whether it is a small bore emergency, or a large planned project intervention, our team of highly trained and experienced engineers work in close partnership throughout the entire life cycle of the project. From site survey, engineering analysis and procedural development, Hydratight offers a custom engineering package providing the safest and most cost effective solution that the industry has to offer.

All of our field service engineers undergo rigorous training and on-going competency assessment, ensuring that you get the highest caliber of personnel, synonymous with the Hydratight brand.

Fittings

In order to provide a complete service, Hydratight supplies an extensive range of hot tap fittings. Designed in accordance with international standards such as ASME B31.3, 4 & 8, the selection process for our fittings considers a number of factors including the pipe size, reinforcement requirements and the client's specifications.

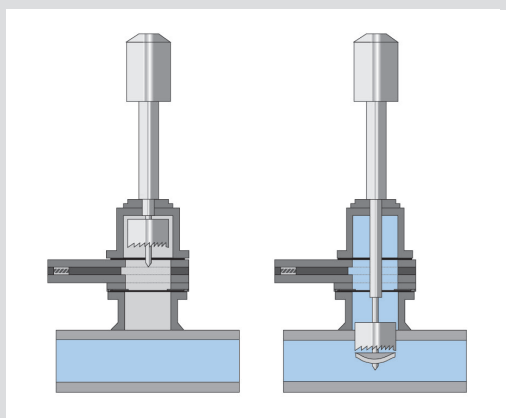
Fittings can be manufactured in a range of different configurations including full encirclement for maximum reinforcement, Weldolet and reinforcement pad type. In cases where it is not feasible to weld onto a pipeline, e.g. subsea applications, or cast iron, ductile iron, or even carbon steel in an area where welding is not permitted, Hydratight also offers a full range of mechanical hot tap fittings.

Key Benefits

- Eliminates the need for production downtime
- No environmental impact or fugitive emissions
- Safer and more cost effective than conventional tie-in methods
- Can be undertaken on a range of piping materials and line mediums
- Turnkey solution
- Dedicated application team to support you from concept to fruition
- Hot tapping equipment from 1/2" to 48" (12.7 mm to 1,219.2 mm)

Typical Applications

- Surface & subsea applications
- Liquid & gas transmission pipelines
- Installation of chemical injection, flow monitoring and other thermowell type fittings
- Relieve trapped pressure in drill pipe and wellhead annulus



Further details can be obtained from your local Hydratight representative or via the website hydratight.com.