



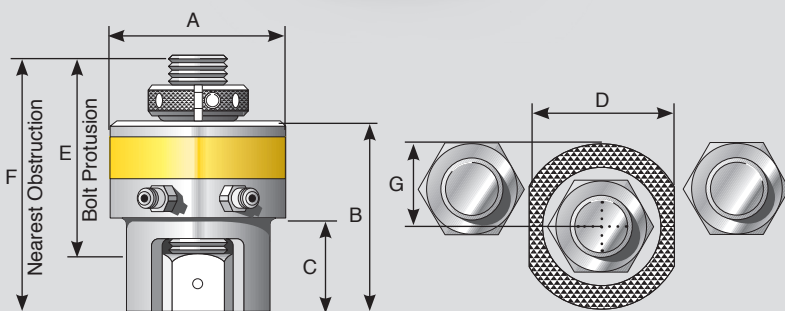
## Aquajack Tensioners

Safe, reliable and repeatable, the use of hydraulic tensioners offers many advantages over other less accurate tightening methods. Hydratight's Aquajack subsea tensioners allow divers to perform the tensioning process with tools designed specifically for their unique requirements.

Easily positioned in poor visibility conditions, Aquajack tensioners feature a compact design and long piston stroke. The unique Split Nut® design of these tools allows rapid application to long bolts and damaged threads, and rapid tool removal.

- 30mm (1.18") maximum piston stroke for tools AJ2 to AJ8; 20mm (0.78") maximum for tools AJ0 and AJ1; all tools incorporate visible piston stroke indicators
- Innovative tool design ensures maximum tool strokes can be used without over stroking the piston or oil spillage
- Misalignment compensation
- Quick, simple hose connection
- Maximum tool operating pressure 1500 bar (21,750 psi)

Guaranteed to save time and increase efficiency, Aquajack tensioners improve diver safety, productivity and reduce diver fatigue.



Tool Ref	Bolt Dia.		Tool Hyd Area		Max Load		Tool Weight	Unit of Measure	A	B	C	D	E	F	G
	in	mm	in <sup>2</sup>	mm <sup>2</sup>	lbs	kN									
AJ0	5/8"	M16	0.748	483	lbs	16,269	3.3lb	Std - in	2.05	3.7	1.27	1.85	3.94	8.74	0.79
			mm <sup>2</sup>		kN	72	1.5kg	Metric - mm	52	94	32	47	100	222	20
AJ1	3/4"	M20	1.55	1000	lbs	33,713	3.3lb	Std - in	2.6	3.5	1.37	2.07	3.78	8.54	0.75
	7/8"	M22	mm <sup>2</sup>		kN	150	1.5kg	Metric - mm	66	89	35	52.5	96	217	19
AJ2	1"	M24	2.56	1652	lbs	55,680	6.6lb	Std - in	3.23	4.72	1.97	2.54	4.92	11.37	0.98
	1-1/8"	M27	mm <sup>2</sup>		kN	248	3.0kg	Metric - mm	82	120	50	64.4	125	289	25.0
	—	M30													
AJ3	1-1/4"	M33	3.9	2516	lbs	84,825	9.2lb	Std - in	3.86	5.16	2.28	3.18	5.12	12.09	1.1
	1-3/8"	M36	mm <sup>2</sup>		kN	377	4.5kg	Metric - mm	98	131	58	81	130	307	28
AJ4	1-1/2"	M39	5.69	3671	lbs	123,758	13.2lb	Std - in	4.49	5.35	2.48	3.58	5.31	12.55	1.3
	1-5/8"	M42	mm <sup>2</sup>		kN	551	6.0kg	Metric - mm	114	136	63	91	135	319	33
AJ5	1-3/4"	M45	9.13	5890	lbs	198,578	19.8lb	Std - in	5.47	5.75	2.76	4.49	5.51	13.48	1.6
	1-7/8"	M48	mm <sup>2</sup>		kN	883	9.0kg	Metric - mm	139	146	70	114	140	342	40
	2"	M52													
AJ6	2-1/4"	M56	12.86	8297	lbs	279,705	28.7lb	Std - in	6.46	6.34	3.23	5.43	5.91	14.45	1.93
	—	M60	mm <sup>2</sup>		kN	1,244	13.0kg	Metric - mm	164	161	82	138	150	367	49
	2-1/2"	M64													
AJ7	2-3/4"	M68	19.14	12348	lbs	416,295	49.1lb	Std - in	7.56	7.01	3.74	6.18	6.5	15.74	2.95
	—	M72	mm <sup>2</sup>		kN	1,852	19.0kg	Metric - mm	192	178	95	157	165	400	75
	3"	M76													
AJ8	3-1/4"	M80	23.94	15445	lbs	520,695	54.0lb	Std - in	8.5	7.6	4.29	7.39	6.5	16.22	3.35
	—	M85	mm <sup>2</sup>		kN	2,316	24.5kg	Metric - mm	216	193	109	188	165	412	85
	3-1/2"	M90													