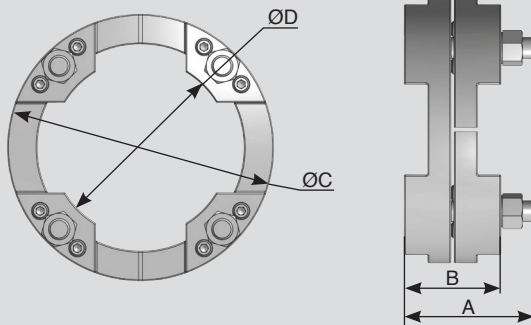


MorSafe™ Online Bolt Renewal Clamp (ASME 4 Bolt Flange)



Hydratight offers Bolt Renewal Services on all ASME flanges, allowing services to be performed without any damage, leakage or interruptions in daily production.

Our service covers:

- All ASME flanges, all sizes, all pressure ratings
- All services, subjected to a risk assessment
- Piping system temperature between -30°C (-22°F) to 150°C (300°F)

Our service teams use a robust, yet simple hot bolting clamp. It does not require any pneumatics or hydraulics for clamp engagement, so it requires less bulky systems for a given flange size. The lightweight and compact design fits almost all flange space restrictions; it is easy to handle and fit, therefore enabling speedy bolt replacement.

The clamp consists of segments that are bolted around the flange, with patented backstops which prevent the clamp pre-tensioning from being transferred directly to the flange. Clamps have an “open” design, enabling the use of a nut splitter and bolt cutting tools.

4 Bolt Specifications

Assembly Number	Pipe size (inch)	Flange Class	Bolt Dia.	Overall Thickness w studs (A)		Overall Thickness w/o studs (B)		O.D. (C)		I.D. (D)		Overall Weight	
				mm	in	mm	in	mm	in	mm	in	kg	lbs
N0008A0150AB	0.5	150	1/2"	70	2.76	40.4	1.6	129	5.08	72.5	2.85	1.8	3.9
N0012A0150AB	0.75	150	1/2"	70	2.76	46.4	1.8	139	5.47	82	3.23	2.4	5.2
N0100A0150AB	1	150	1/2"	80	3.15	52.8	2.1	148	5.83	87	3.43	2.8	6.2
N0104A0150AB	1.25	150	1/2"	90	3.54	59.2	2.33	157	6.18	96	3.78	3.3	7.3
N0108A0150AB	1.5	150	1/2"	90	3.54	65.6	2.58	167	6.57	106	4.17	3.8	8.3
N0200A0150AB	2	150	5/8"	110	4.33	72.0	2.83	199	7.83	131	5.16	5.9	13.0
N0208A0150AB	2.5	150	5/8"	110	4.33	81.6	3.21	226	8.90	153.5	6.04	7.5	16.5
N0300A0150AB	3	150	5/8"	110	4.33	84.8	3.34	238	9.37	165.5	6.52	8.1	17.9
N0008A0600AB	0.5	300/600	1/2"	90	3.54	58.8	2.31	135	5.31	74	2.91	2.8	6.1
N0012A0600AB	0.75	300/600	5/8"	100	3.94	65.6	2.58	157	6.18	96	3.78	3.7	8.2
N0100A0600AB	1	300/600	5/8"	110	4.33	72.0	2.83	171	6.73	103	4.06	5.2	11.4
N0104A0600AB	1.25	300/600	3/4"	120	4.72	81.6	3.21	181	7.13	108.5	4.27	6.1	13.3
N0108A0600AB	1.5	300/600	3/4"	150	5.91	91.0	3.58	212	8.35	129.5	5.10	9.9	21.7
N0008A1500AB	0.5	900/1500	3/4"	130	5.12	91.0	3.58	168	6.61	95.5	3.76	6.4	14.0
N0012A1500AB	0.75	900/1500	3/4"	150	5.91	97.2	3.83	177	6.97	104.5	4.11	7.5	16.5
N0100A1500AB	1	900/1500	7/8"	150	5.91	110.0	4.33	206	8.11	119	4.69	11.3	24.8
N0108A1500AB	1.5	900/1500	1"	170	6.69	122.8	4.83	244	9.61	149	5.87	17.9	39.4
N0008A2500AB	0.5	2500	3/4"	150	5.91	107.8	4.24	181	7.13	108.5	4.27	8.5	18.7
N0012A2500AB	0.75	2500	3/4"	170	6.69	113.4	4.46	197	7.76	114.5	4.51	11.7	25.6
N0100A2500AB	1	2500	7/8"	170	6.69	122.8	4.83	216	8.50	129	5.08	14.1	30.9
N0108A2500AB	1.5	2500	1-1/8"	200	7.87	155.0	6.10	277	10.91	174	6.85	29.1	64.1