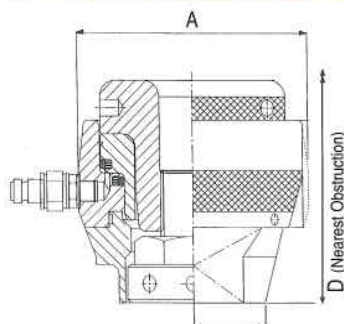


Successor Vacuum Retract bolt tensioners

The HYDRATIGHT SWEENEY Successor system now offers the optimum bolt tightening package, saving you time and energy whilst still providing all the benefits of hydraulic bolt tensioning.

By designing a pump that can both pressurise and retract the tensioner pistons, we have made tensioning operations so much quicker, saving you up to **30%** in time and energy over conventional systems.

Tool Ref.	Bolt Diameter		Maximum Load		Hydraulic Pressure Area		Stroke	A Effective O/D		B Min Pitch		C		D	
	in	mm	tons	kN	in ²	mm ²		in	mm	in	mm	in	mm	in	mm
VSO1		M16	13.69	136	1.41	910	5	2.89	73.5	1.92	49	0.93	23.5	6.18	157
	3/4"	M18	13.69	136	1.41	910	5	2.89	73.5	1.96	50	0.93	23.5	6.18	157
		M20	13.69	136	1.41	910	5	2.89	73.5	2.00	51	1.04	26.5	6.30	160
VSO2	7/8"	M22	13.69	136	1.41	910	5	2.89	73.5	2.04	52	1.04	26.5	6.30	160
	1"	M24	24.95	249	2.57	1658	10	3.39	86	2.32	59	1.16	29.5	6.73	171
	1 1/8"	M27	24.95	249	2.57	1658	10	3.39	86	2.38	61	1.26	32	6.93	176
VSO3		M30	48.16	480	4.96	3200	15	5.04	128	3.27	83	1.26	32	8.07	205
	1 1/4"	M33	48.16	480	4.96	3200	15	5.04	128	3.33	85	1.26	32	8.07	205
	1 3/8"	M36	48.16	480	4.96	3200	15	5.04	128	3.39	86	1.49	37.8	7.48	190
	1 1/2"	M39	48.16	480	4.96	3200	15	5.04	128	3.44	88	1.65	42	7.83	199
VSO4	1 5/8"	M42	75.83	756	7.81	5039	15	5.75	146	3.86	98	1.77	45	8.39	213
	1 3/4"	M45	75.83	756	7.81	5039	15	5.75	146	3.92	100	1.93	49	8.50	216
	1 7/8"	M48	75.83	756	7.81	5039	15	5.75	146	3.98	101	2.01	51	8.62	219
VSO5	2"	M52	100.59	1002	10.36	6684	15	6.65	169	4.51	115	2.13	54	8.74	222
	2 1/4"	M56	100.59	1002	10.36	6684	15	6.65	169	4.59	117	2.32	59	8.98	228
	VSO6	2 1/2"	M64	161.28	1607	16.61	10716	15	8.15	207	5.49	140	2.56	65	10.67
		M68	161.28	1607	16.61	10716	15	8.15	207	5.57	142	2.80	71	10.91	277
2 3/4"		M72	161.28	1607	16.61	10716	15	8.15	207	5.65	144	2.80	71	10.91	277
VSO7	3"	M76	222.65	2218	22.93	14794	15	9.41	239	6.36	162	3.03	77	11.38	289
		M80	222.65	2218	22.93	14794	15	9.41	239	6.44	164	3.03	77	11.65	296
	3 1/4"	M85	222.65	2218	22.93	14794	15	9.41	239	6.54	166	3.43	87	11.65	296
VSO8	3 1/2"	M90	222.65	2218	22.93	14794	15	9.41	239	6.63	169	3.66	93	11.93	303
	3 3/4"	M95	265.27	2643	27.32	17626	15	10.55	268	7.30	186	3.90	99	13.11	333
	4"	M100	265.27	2643	27.32	17626	15	10.55	268	7.40	188	4.13	105	13.19	335



- 30% reduction in operational time.
- Reduction in costs.
- Reduction in effort.
- Increased operational safety.
- Easier operation.
- Maximum tool operating pressure - 1500 bar (21,750 psi).
- Retrofit available to HL bolt tensioners.