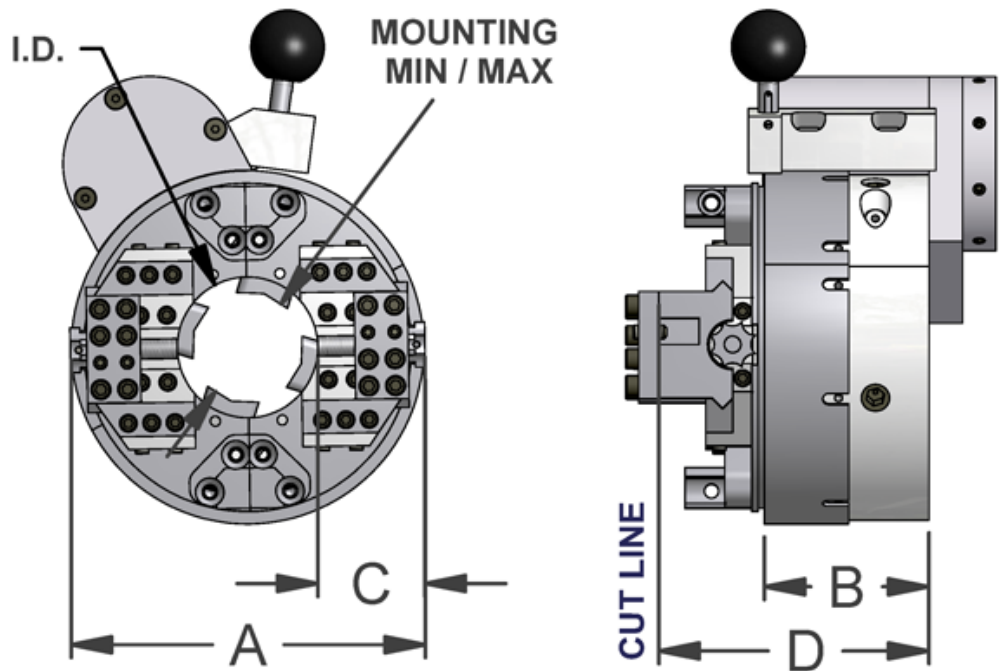


hydratight[®]



Hydratight's DL Ricci Brand of On-Site Machining Solutions
Presents Technical Data on the:

MC Clamshell



Model MC	Unit of Measure	Mounting Min Max	Machine ID	A	B	C	D
MC2	Std. - in.	.840 - 2.375	2.625	6.438	3.25	1.906	4.313
	Metric. - mm	21.3 - 60.3	66.7	163.5	82.6	48.4	109.5