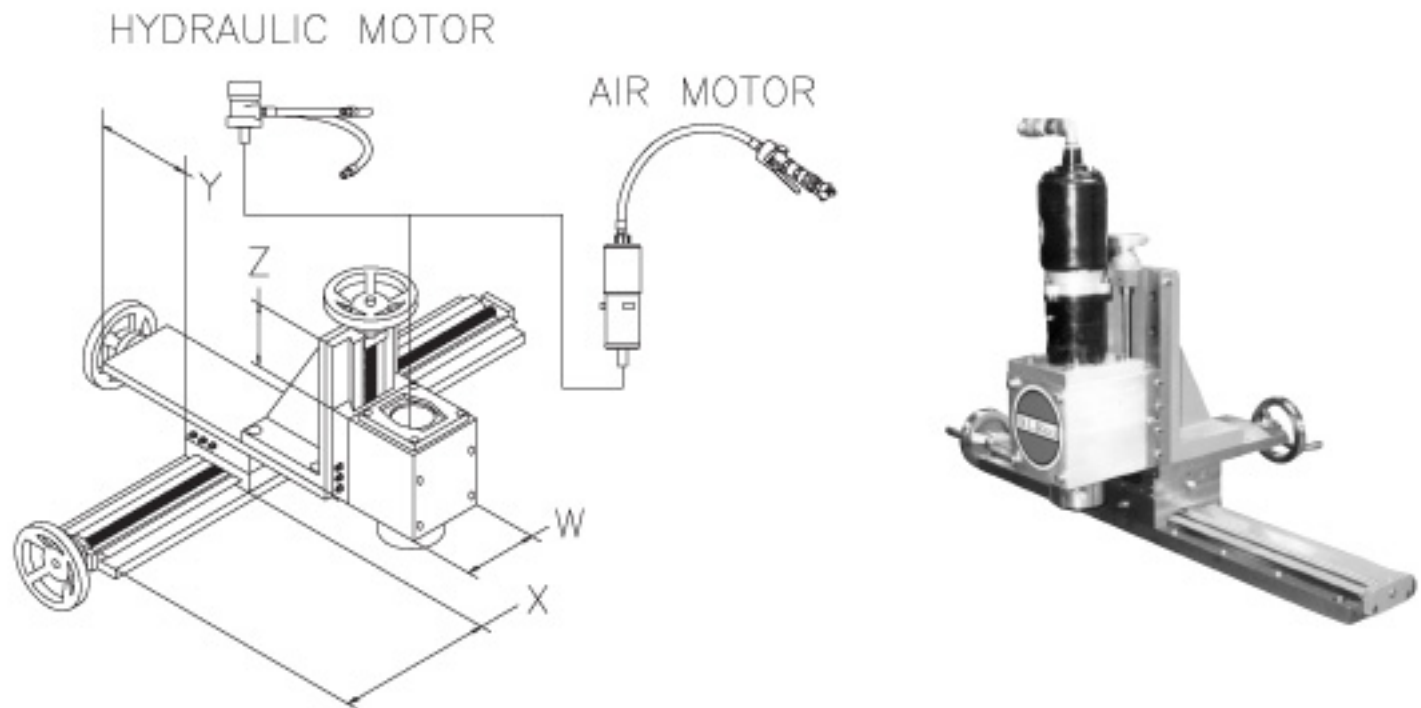


Portable Milling Machines



MODEL	UNIT OF MEASURE	X	Y	Z	W	SHANK DIA.
4Z x 24	Std. -in	18.00	4.00	4.00	4.00	1.00
	Metric -mm	457.2	101.6	101.6	101.6	25.4
4Z x 36	Std. -in	30.00	4.00	4.00	4.00	1.00
	Metric -mm	762.0	101.6	101.6	101.6	25.4
6Z x 36	Std. -in	30.00	6.00	6.00	6.00	2.00
	Metric -mm	762.0	152.4	152.4	152.4	50.8
8Z x 44	Std. -in	36.00	8.00	8.00	8.00	2.00
	Metric -mm	914.4	203.2	203.2	203.2	50.8
8Z x 72	Std. -in	64.00	8.00	8.00	8.00	2.00
	Metric -mm	1625.6	203.2	203.2	203.2	50.8
16Z x 96	Std. -in	80.00	16.00	16.00	16.00	2.00
	Metric -mm	2032.0	406.4	406.4	406.4	50.8



D.L. Ricci Corp.
5001 Moundview Drive
Red Wing, MN 55066
U.S.A.

Phn: 651-388-8661
Fax: 651-388-0002
Web: www.dlricci.com
E-mail: info@dlricci.com

Sales, Rental, Technical Support
Anytime. Anywhere.