

hydratight[®]



Hydratight's DL Ricci Brand of On-Site Machining Solutions
Presents Technical Data on the:

Trunnion Grinder

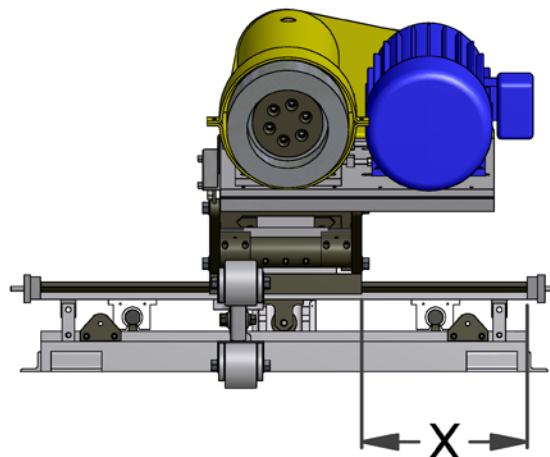
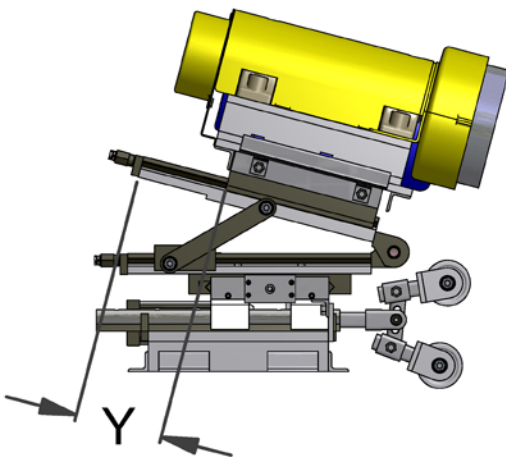


X & Y Travel

X = 33" or 838.2 mm

Y = 9" or 228.6 mm

- + Stone = 12" diameter
- + Grinding wheel runs at 2500 rpm
- + 15hp electric motor
- + 460V, 3 phase



www.hydratight.com